

CFS / CFSII™ Tech Tips

SLTS-005 5/2/01

The alignment and splices loss acceptance processes in a CFS or CFSII fusion splicer are made possible by the optical components. Clean optics are critical to successful splicing. Periodic maintenance is required to keep the optics clean. Dirty optics can cause poor fiber and splice assessment, error messages, as well as improper fiber alignment.

Necessary Tools:

The following tools are provided with the splicer:

- Dry cotton swab
- Hex wrench
- Tricep tool (yellow)

Cleaning the Optics

1. Disconnect the splicer from the charging unit and internal battery.
2. Remove the light tower to gain better access to the splice area (Figure 1).
3. Remove each electrode by securing it with the tricep tool and loosening the set screw with the hex wrench (Figure 2).

CAUTION: Never use solvents to clean the optics in the CFS/CFSII splicers. Solvents can leave a permanent film on the optics.

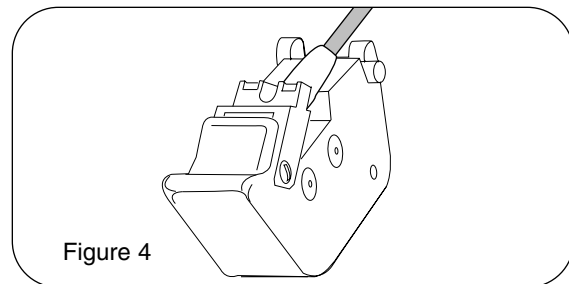
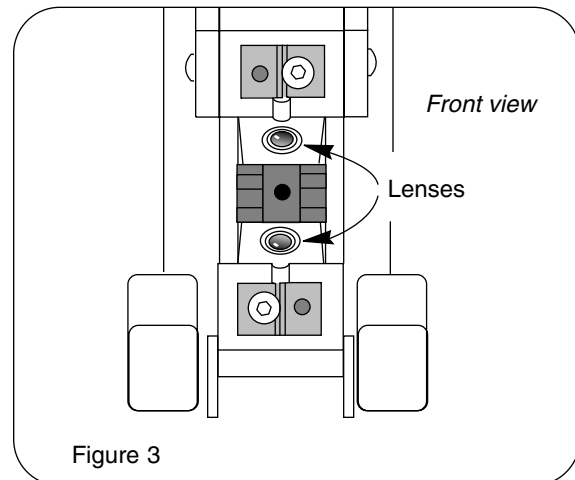
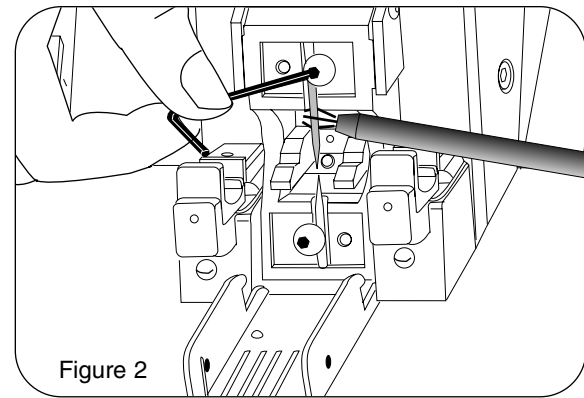
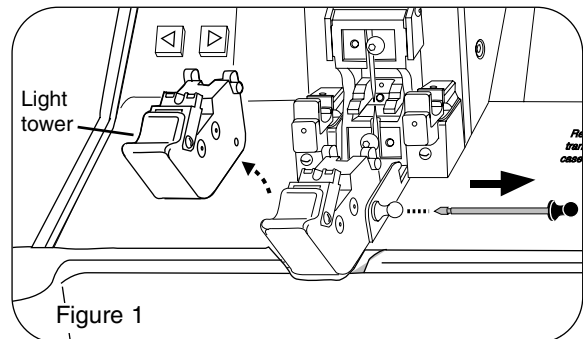
4. Use a dry cotton swab to clean both of the lenses that are behind the electrode area (Figure 3).

WARNING: Never operate a fusion splicer without the electrodes in place. Extensive, irreparable damage to the unit and/ or personal injury may result.

5. Reposition the electrodes with the tricep tool and secure them with the hex wrench.

6. Clean the LEDs in the light tower with a dry cotton swab (Figure 4). Reinstall the light tower and remate the power supply connections before splicing.

Cleaning CFS / CFSII™ Optics



All trademarks are the property of their respective holders.

© 2000, 2001 Corning Cable Systems LLC. Please refer to the operating manual provided with the product described above for complete instructions and precautions.