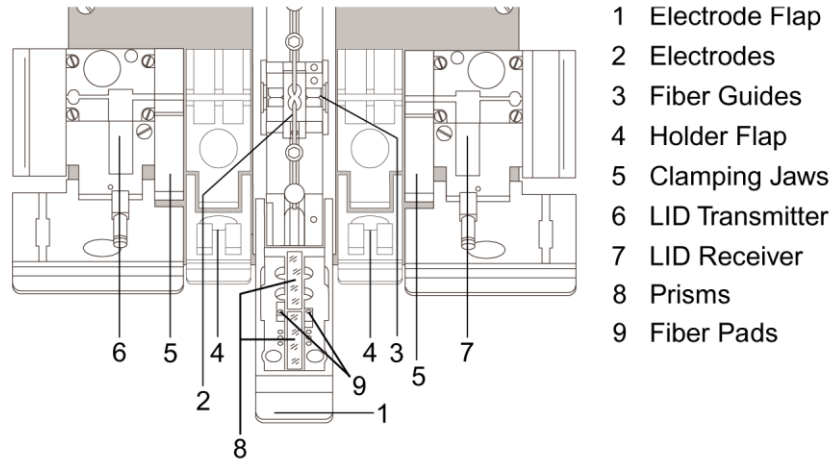


## X7 series / miniMASS Tech Tips

### Cleaning the Prisms and Fiber Pads in X7 series / miniMASS Fusion Splicers



#### Necessary Tools:

- Window cleaning fluid (e.g. *Windex*)
- Cotton Swabs
- Alcohol ( $\geq 99\%$  pure)

#### Cleaning the Prisms

1. Open the electrode flap (No.1)
2. Using a cotton swab *lightly* dampened with window cleaning fluid; swab the prism(s) surfaces from the center to the outer edges.
3. Use another dry swab to dry and polish the prism surfaces.
4. Repeat a second time if some film remains.



**NOTE:** canned air should *never* be used anywhere near the electrodes area. Using canned air and then activating the fusion sequence will shorten the life of the prisms by coating them with a non-removable film.

#### Cleaning the Fiber Pads

1. Open the electrode flap (No.1)
2. Using a cotton swab lightly dampened with alcohol, swab one of the circular, white/beige fibre pads located in the center of the electrode flap and then dry it with a clean dry swab.
3. Repeat this process for the other fibre pad.