

## M90 Tech Tips

SLTS-009 5/2/01

The mirrors and optical lenses in the M90 must be kept clean to ensure the splicer functions properly.

### Necessary Tools:

- V-groove and electrode hex wrench
- Window cleaner
- Cotton swabs

### Cleaning the Optics

1. Open the electrode flaps and disconnect the splicer from all power sources (Figure 1).
2. Use the hex wrench and tweezers to (Figure 2):
  - remove the electrodes using the procedure in the operator manual.
  - remove the V-grooves with the hex wrench.
3. Clean the optical lenses and mirrors indicated by the arrows in Figure 3 with a cotton swab slightly dampened with window cleaner.
4. Re-install the V-grooves and electrodes using the recommended procedures found in the operator manual.



**Warning:** Never operate a fusion splicer with the electrodes removed. Extensive, irreparable damage to the splicer and or personal injury may result.

## Cleaning M90 Optics

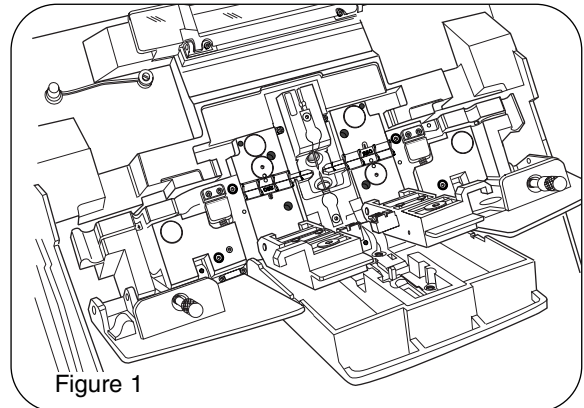


Figure 1

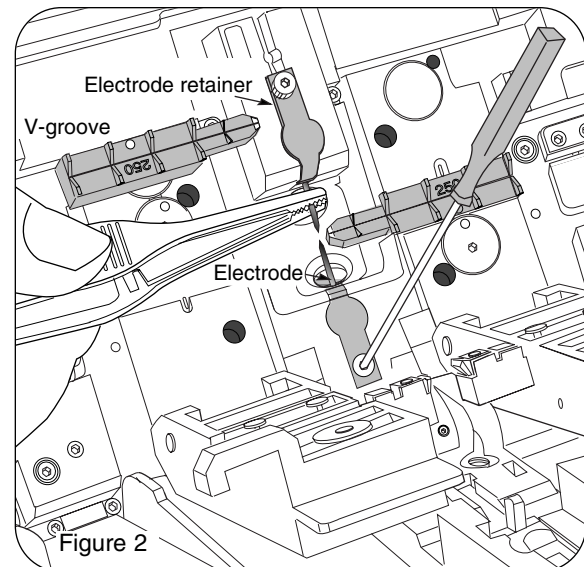


Figure 2

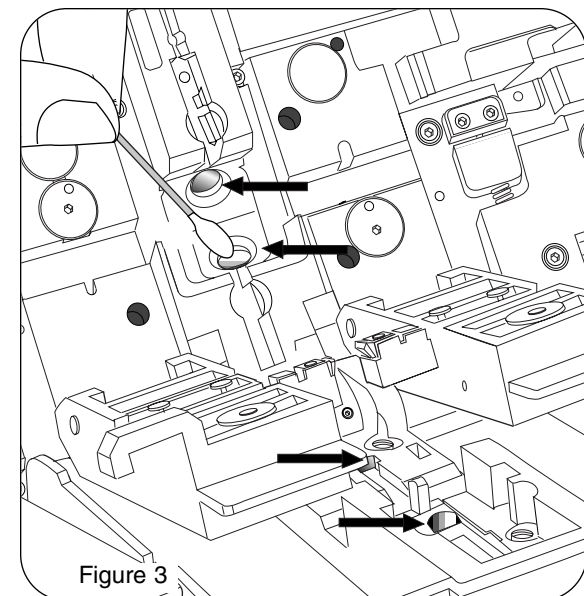


Figure 3

All trademarks are the property of their respective holders.

© 2000, 2001 Corning Cable Systems LLC. Please refer to the operating manual provided with the product described above for complete instructions and precautions.